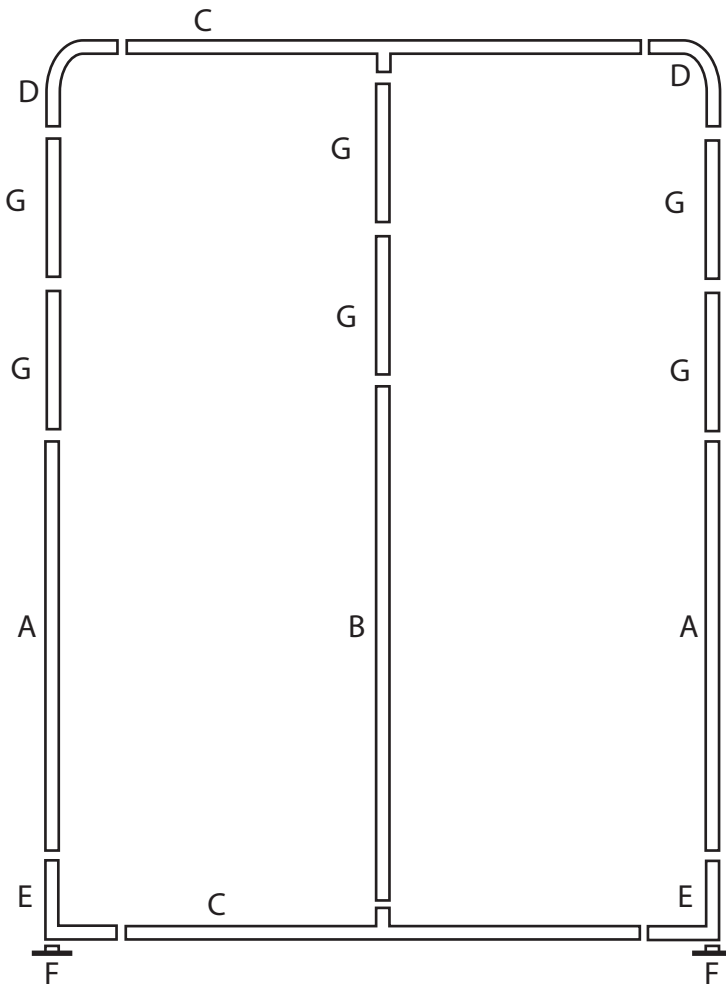
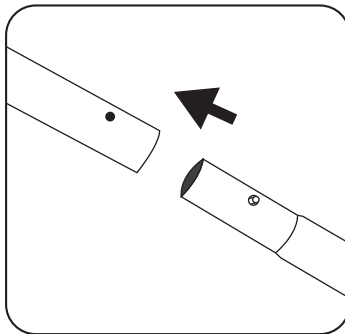
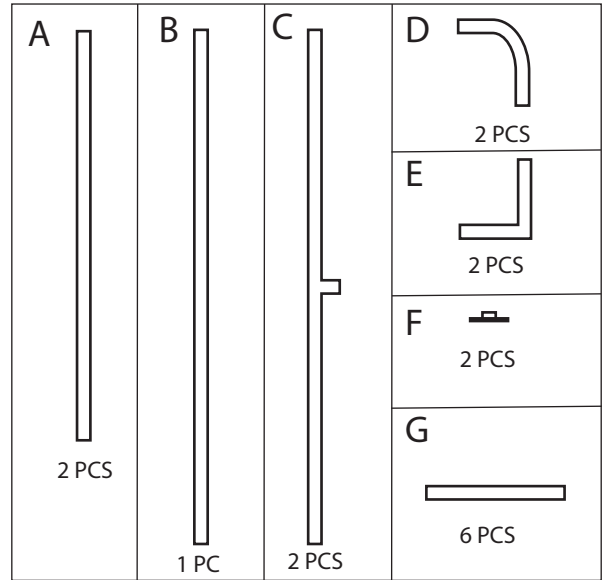


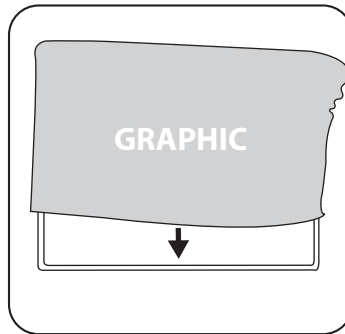
ASSEMBLY INSTRUCTIONS



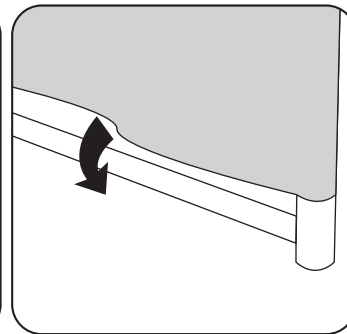
COMPONENTS:



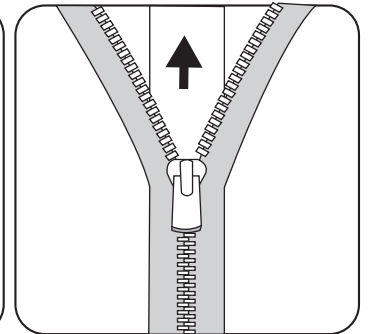
1 Assemble the frame – less the feet – by clicking together the poles.



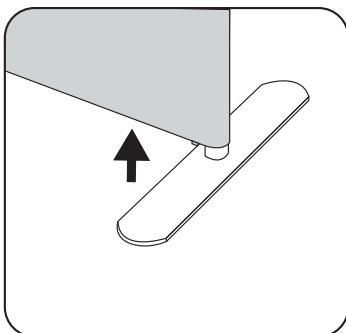
2 Pull the fabric over the frame and pull down on the sides evenly. The fabric may catch a bit on the tube joints, just pull the fabric out and over to continue.



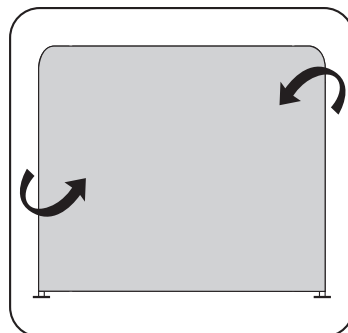
3 Once the fabric is on the frame, it is easiest to lay the frame down to zip the fabric under the bottom horizontal pole.



4 Find the end where the zipper is to start. Grab both sides of the fabric and pull around the bottom horizontal pole. This stretches the fabric and makes it easier to set the zipper. Start the zipper and zip it across the bottom of the stand, pulling the fabric down if need be.



5 Add the feet to the display and stand it up.



6 These frames can easily be adjusted if there is a twist to the frame after the fabric is on. Simply twist the frame until it is flat. The tension of the fabric will hold it where you set it.