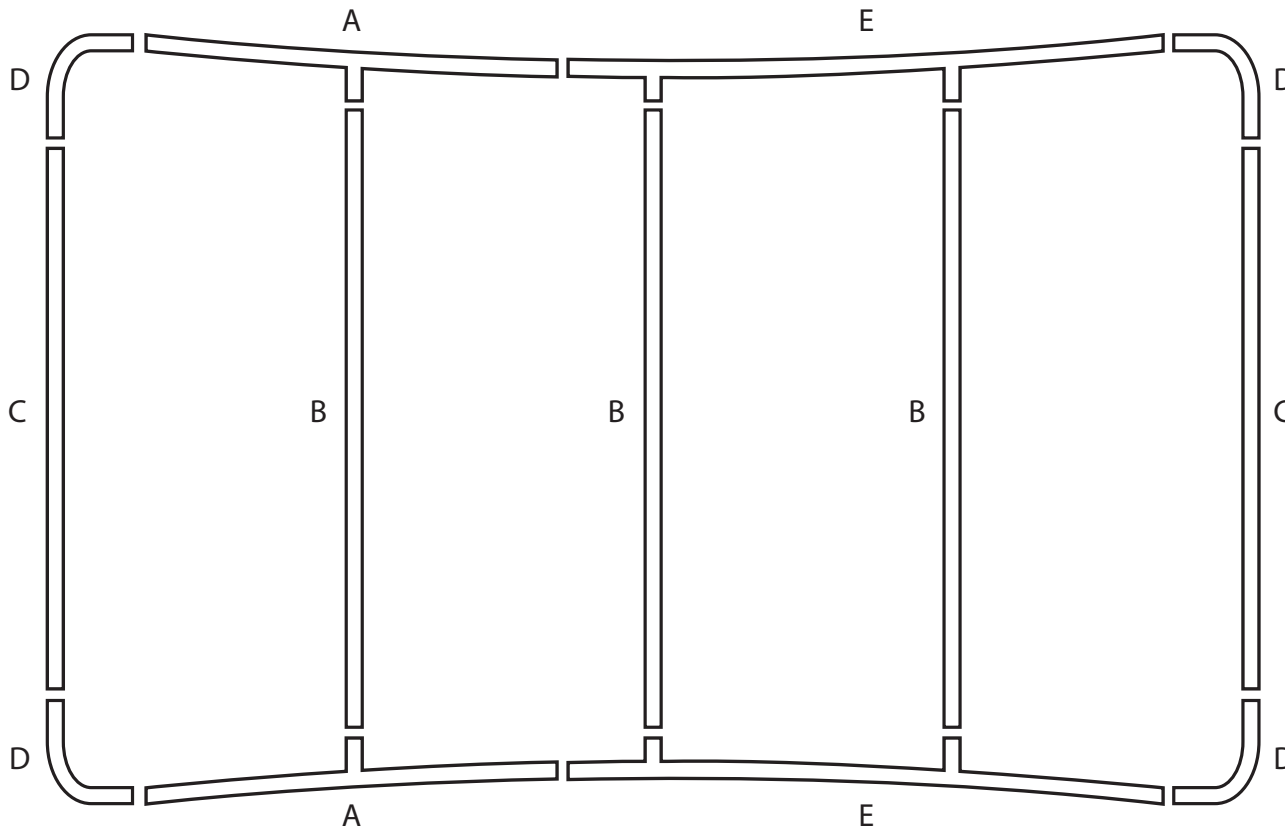
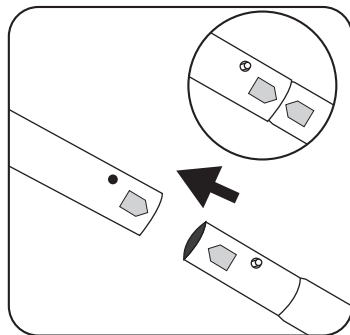
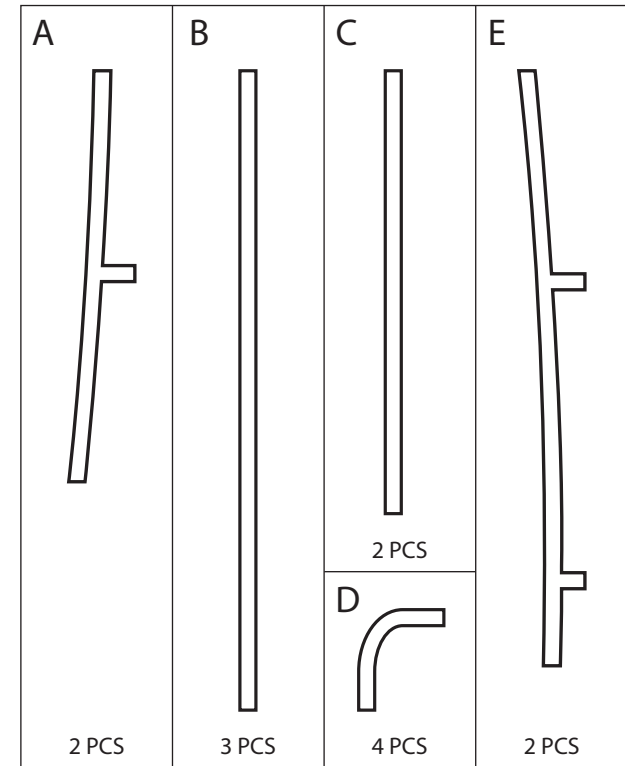


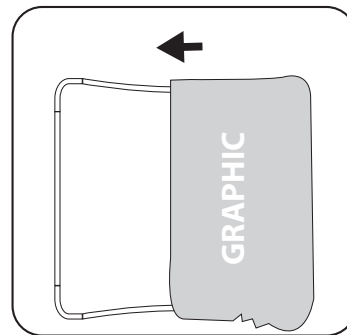
ASSEMBLY INSTRUCTIONS



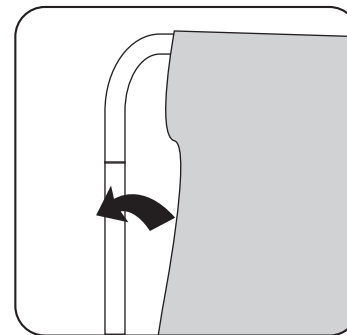
COMPONENTS:



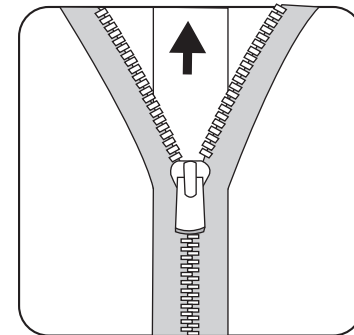
1 Assemble the frame by clicking together the poles. Use the stickers found on the end of each pole piece to identify the proper corresponding connections.



2 Pull the fabric over the side frame and pull the top and bottom evenly. The fabric may catch a bit on the tube joints, just pull the fabric out and over to continue.



3 Once the fabric is on the frame, zip the fabric over the vertical pole.



4 Find the end where the zipper is to start. Grab both sides of the fabric and pull around the vertical pole. This stretches the fabric and makes it easier to set the zipper. Start the zipper and zip it across the side of the stand.