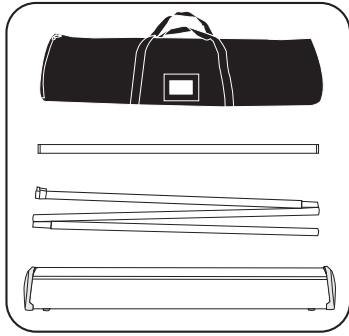
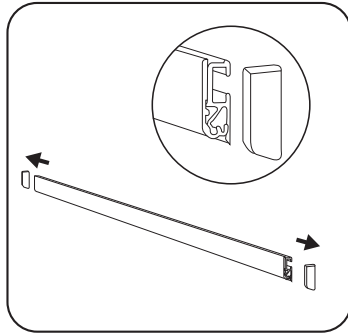


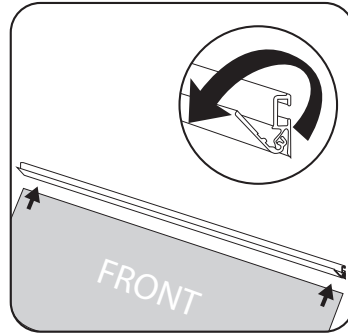
INSTALLATION STEPS



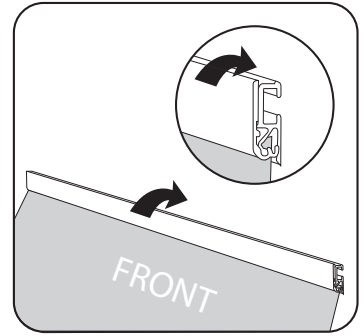
- 1** The box contains:
- A carry bag
 - Clamp top bar
 - Support pole
 - The base



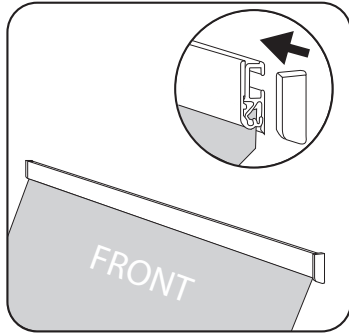
- 2** Remove the plastic end caps from the clamp top bar.



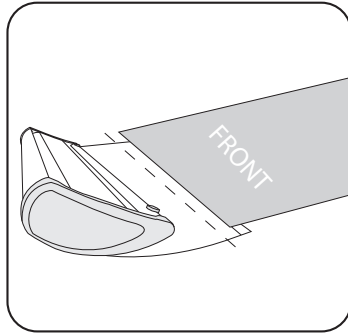
- 3** Open the top bar and fully insert the banner (front facing up).



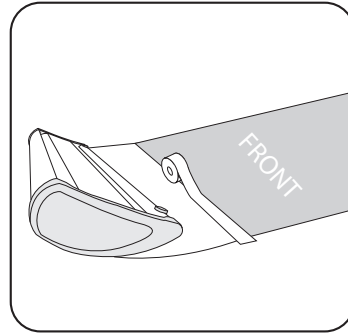
- 4** Press down firmly on clamp top bar to secure graphic into place.



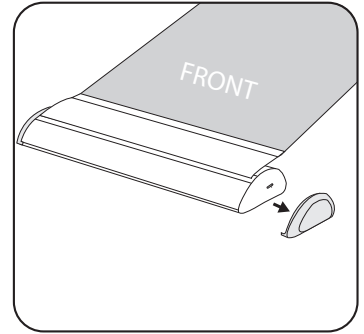
- 5** Place the plastic end caps back onto the top bar.



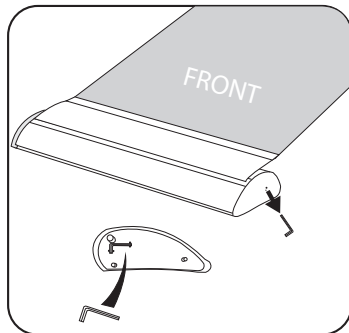
- 6** Peel the paper off the adhesive along the edge of the leader. Ensure the bottom of the banner is straight along the adhesive, and attach the banner (front facing up).



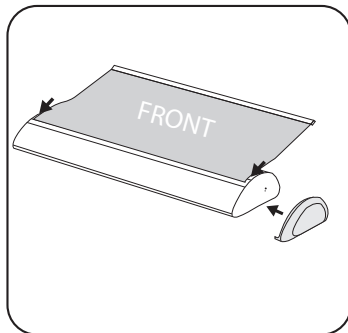
- 7** Secure the banner to the leader with additional tape on both sides.



- 8** Remove the right end cap (when looking at the front of the stand) to expose the locking pin.



- 9** Gripping the banner securely with one hand, remove the locking pin from the right side of the base. Store the locking pin in the right end cap.



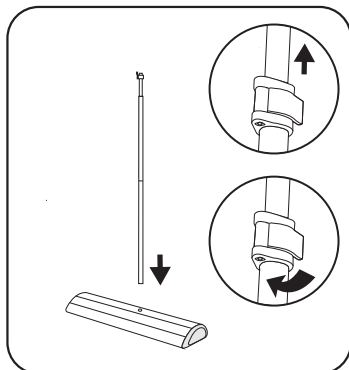
- 10** Carefully allow the banner to retract into the base, keeping it even distance from the edge of the base on both sides. Place the right end cap back onto the base.



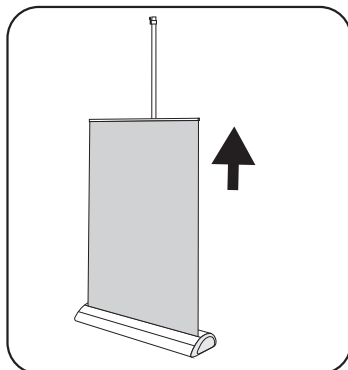
When done installation, leave lower portion of this sheet with the stand for the end user



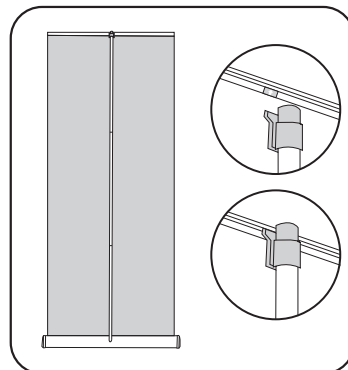
SET-UP STEPS



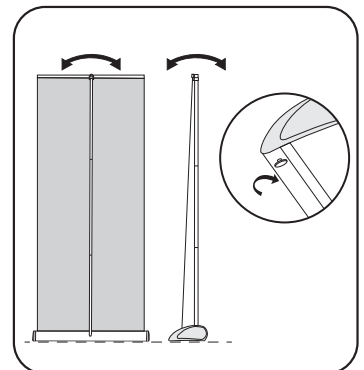
- 1** Assemble pole and insert the bottom of the pole in the center of the base. If the pole is telescopic, raise pole by opening latch, and secure at desired height.



- 2** Standing behind the stand, hold the top bar and pull up the banner to the top of the pole.



- 3** Tilt the top bar back on a slight angle to position the fitting at the top of the pole into the channel in the center of the top bar.



- 4** Adjust the threaded feet concealed underneath the base to level the unit if required.
Note: This step is usually required in all stands taller than 86"

IMPORTANT:

When disassembling display, tilt the clamp top bar back on a slight angle and lift off the top off the pole, then while holding the clamp top bar, carefully and slowly allow the banner to retract straight into the base, ensuring it does not wander over to either side while it is retracting.