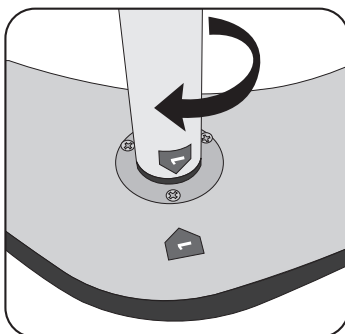
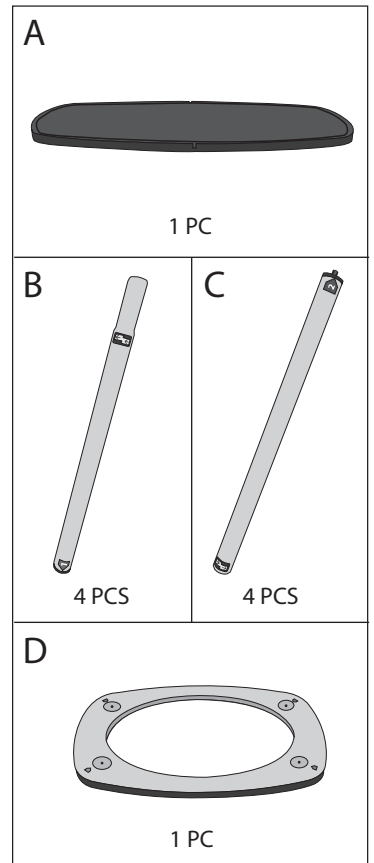
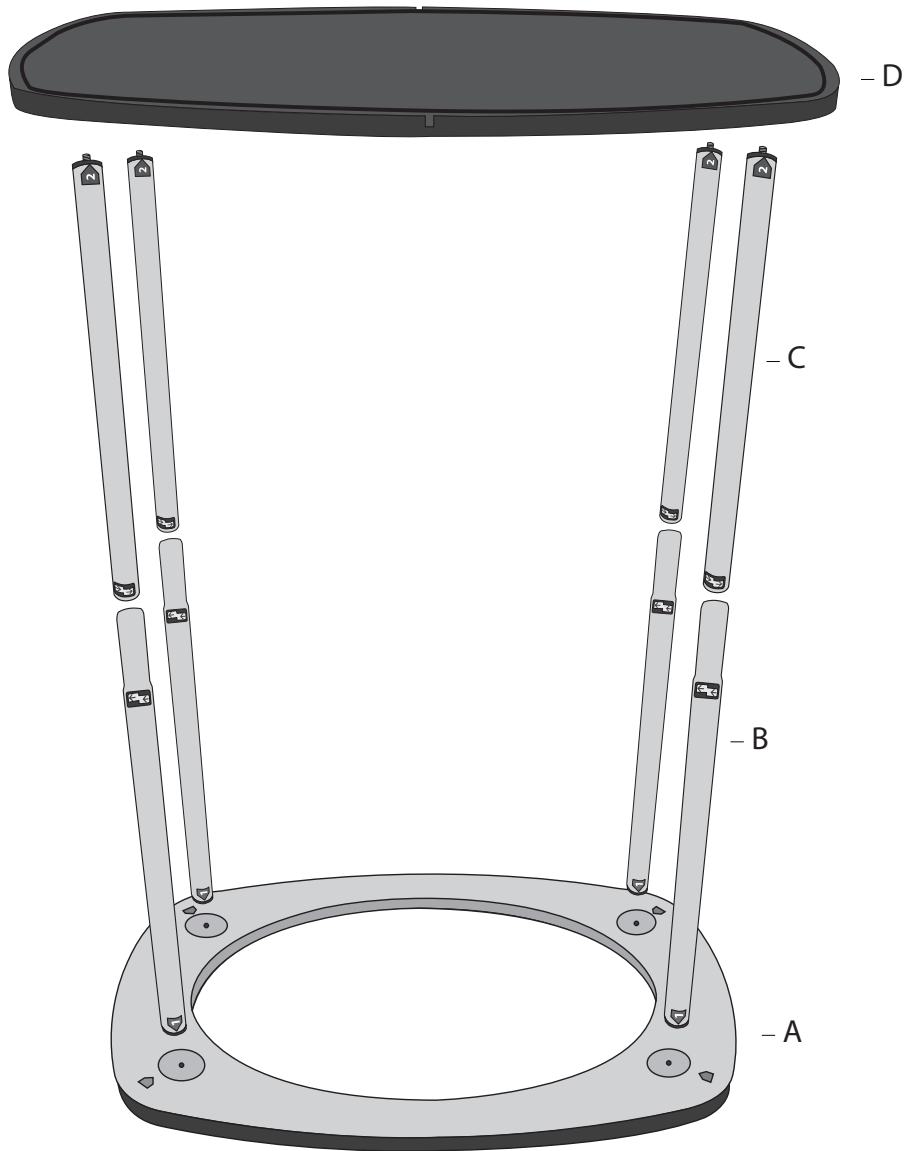
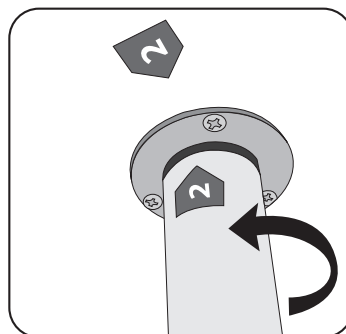


# ASSEMBLY INSTRUCTIONS

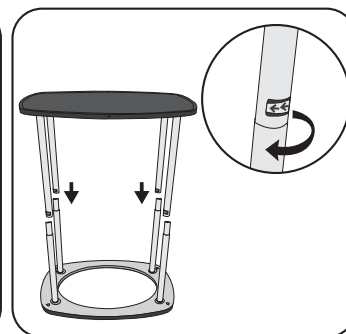
COMPONENTS:



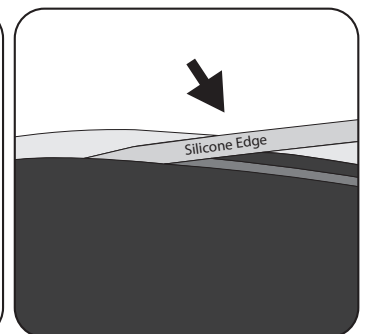
**1** Twist the poles labeled "1" into the corresponding holes on the base.



**2** Twist the poles labeled "2" into the corresponding holes on the bottom of the countertop.



**3** Slide the upper poles onto the poles attached to the base.



**4** Insert the silicone edge into the channel on the base of the counter. Flip the counter and repeat for the top of the graphic.