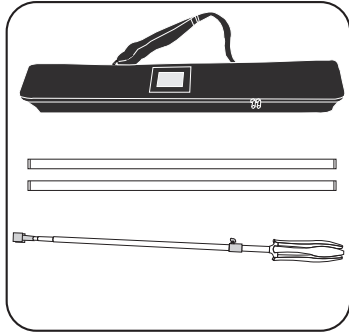
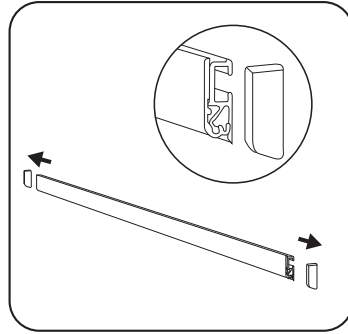


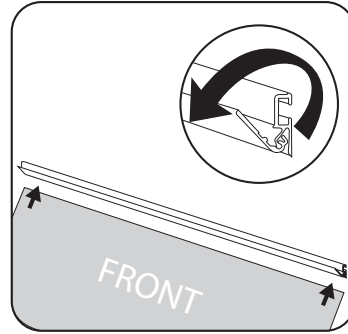
# INSTALLATION STEPS



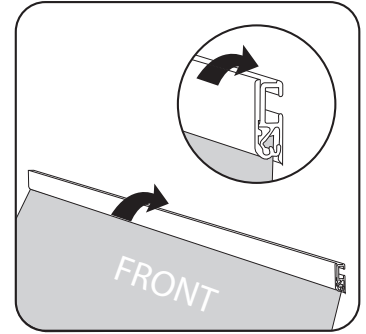
- 1** The box contains:
- Carry bag
  - Clamp top and bottom bars
  - Support pole and base



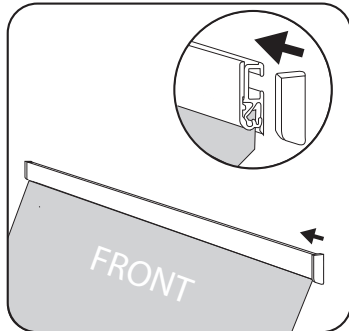
- 2** Remove the plastic end caps from the clamp top bar.



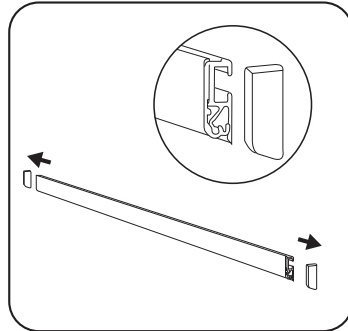
- 3** Open the top bar and fully insert the top of the banner (front facing up).



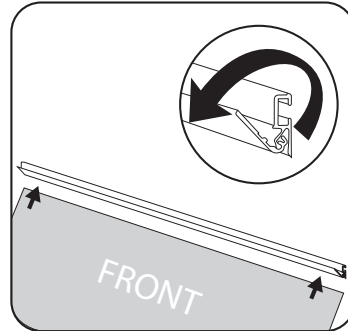
- 4** Press down firmly on clamp top bar to secure graphic into place.



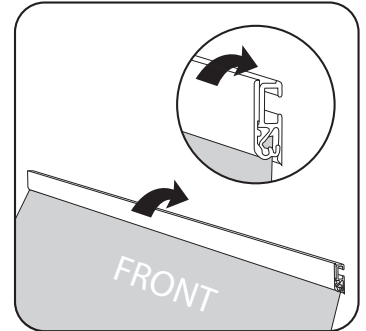
- 5** Place the plastic end caps back onto the top bar.



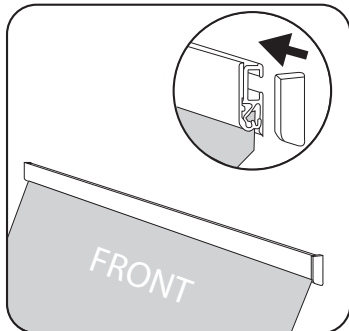
- 6** Remove the plastic end caps from the clamp bottom bar.



- 7** Open the bottom bar and fully insert the bottom of the banner (front facing up).



- 8** Press down firmly on clamp top bar to secure graphic into place.



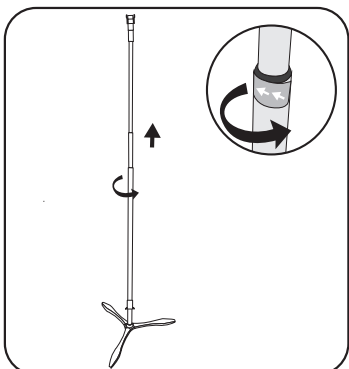
- 9** Place the plastic end caps back onto the bottom bar.



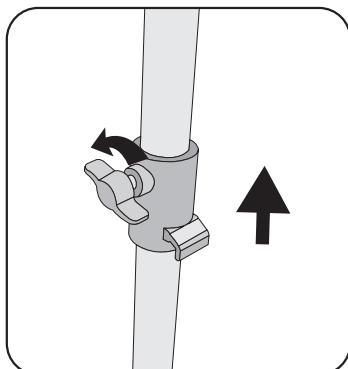
When done installation, leave lower portion of this sheet with the stand for the end user



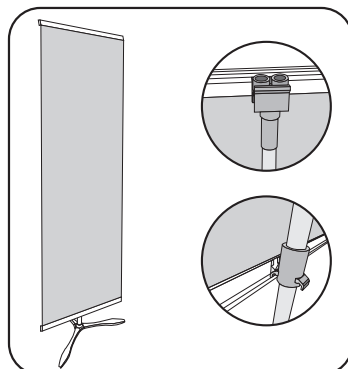
## SET-UP STEPS



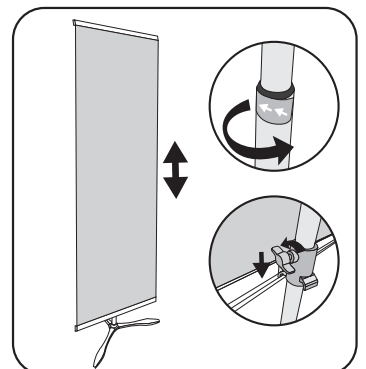
- 1** Open the support feet, and place the base onto the ground. Gently twist the support pole to extend to desired height, and gently twist to lock pole in place. **DO NOT OVER LOOSEN OR OVERTIGHTEN THE SUPPORT POLE.**



- 2** Rotate knob on bottom clip and place at desired height. **DO NOT OVERTIGHTEN KNOB.**



- 3** Attach the bottom bar to the bottom clip, then attach top bar to top clip on the support pole. Repeat for additional graphic.



- 4** Repeat steps 1 and 2 if graphic requires additional tension.