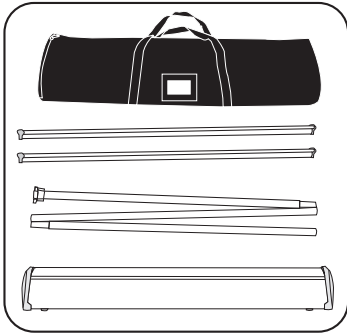
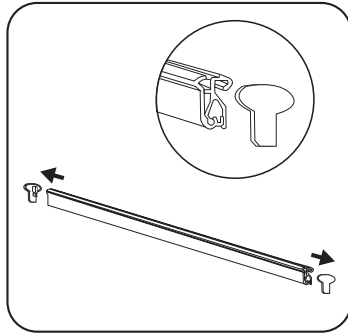


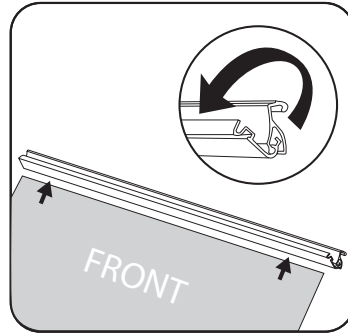
INSTALLATION STEPS



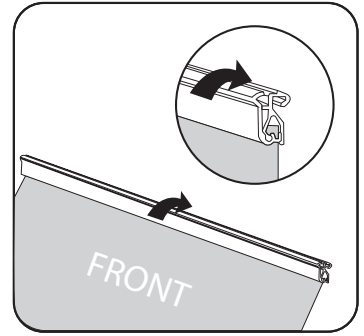
- 1** The box contains:
- A carry bag
 - Clamp top bars
 - Support pole
 - The base



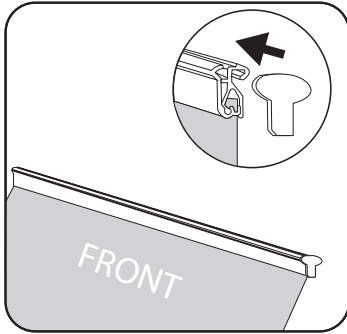
- 2** Remove the plastic end caps from the clamp top bar.



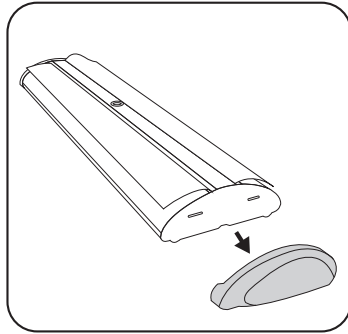
- 3** Open the top bar and fully insert the banner (front facing up).



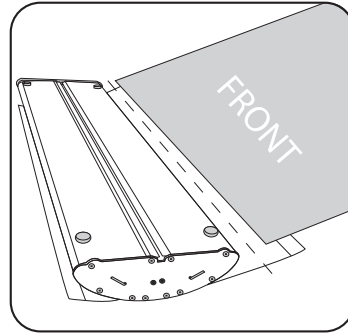
- 4** Press down firmly on clamp top bar to secure graphic into place.



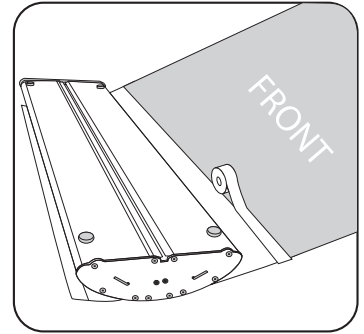
- 5** Place the plastic end caps back onto the top bar (repeat steps 2 to 5 for additional graphic).



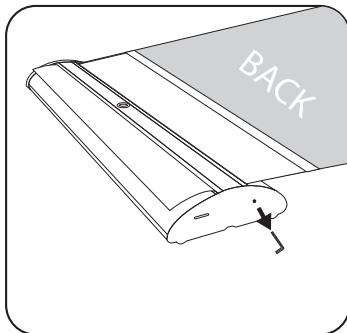
- 6** Remove the end cap to expose the locking pins.



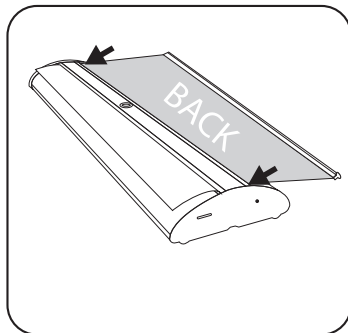
- 7** Peel the paper off the adhesive along the edge of the leader. Ensure the bottom of the banner is straight along the adhesive, and attach the banner (front facing up).



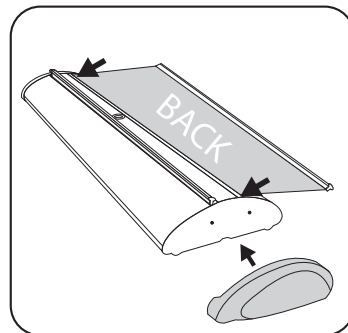
- 8** Secure the banner to the leader with additional tape on both sides.



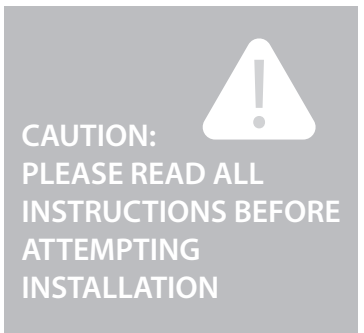
- 9** Gripping the banner securely with one hand, remove the locking pin, closest to the side you are planning to retract, from the side of the base.



- 10** Carefully allow the banner to retract into the base, keeping it even distance from the edge of the base on both sides.

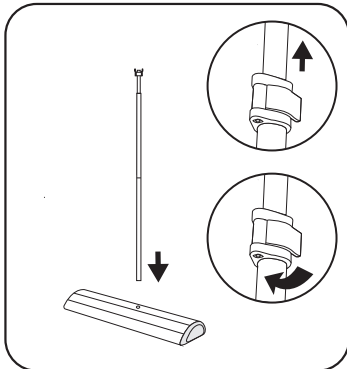


- 11** Repeat steps 7 to 10 for additional graphic. Store both locking pins in the end cap and place the end cap back onto the base.

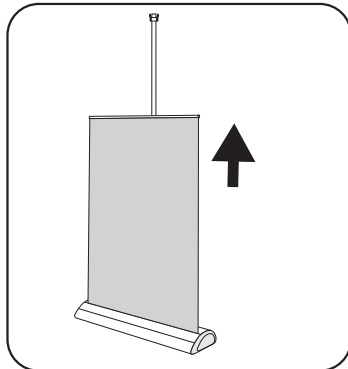


When done installation, leave lower portion of this sheet with the stand for the end user

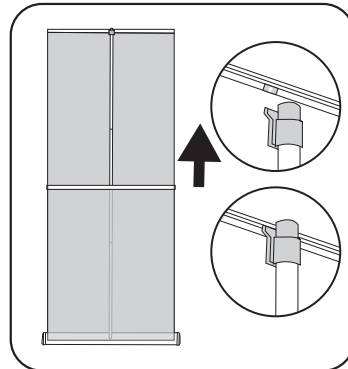
SET-UP STEPS



- 1** Assemble pole and insert the bottom of the pole in the center of the base. If the pole is telescopic, raise pole by opening latch, and secure at desired height.



- 2** Standing behind the stand, hold the top bar and pull up the banner to the top of the pole.



- 3** Tilt the top bar back on a slight angle to position the fitting at the top of the pole into the channel in the center of the top bar. Repeat steps 2 to 3 for additional graphic.



- 4** Adjust the threaded feet concealed underneath the base to level the unit if required.

IMPORTANT:

When disassembling display, tilt the clamp top bar back on a slight angle and lift off the top off the pole, then while holding the clamp top bar, carefully and slowly allow the banner to retract straight into the base, ensuring it does not wander over to either side while it is retracting.