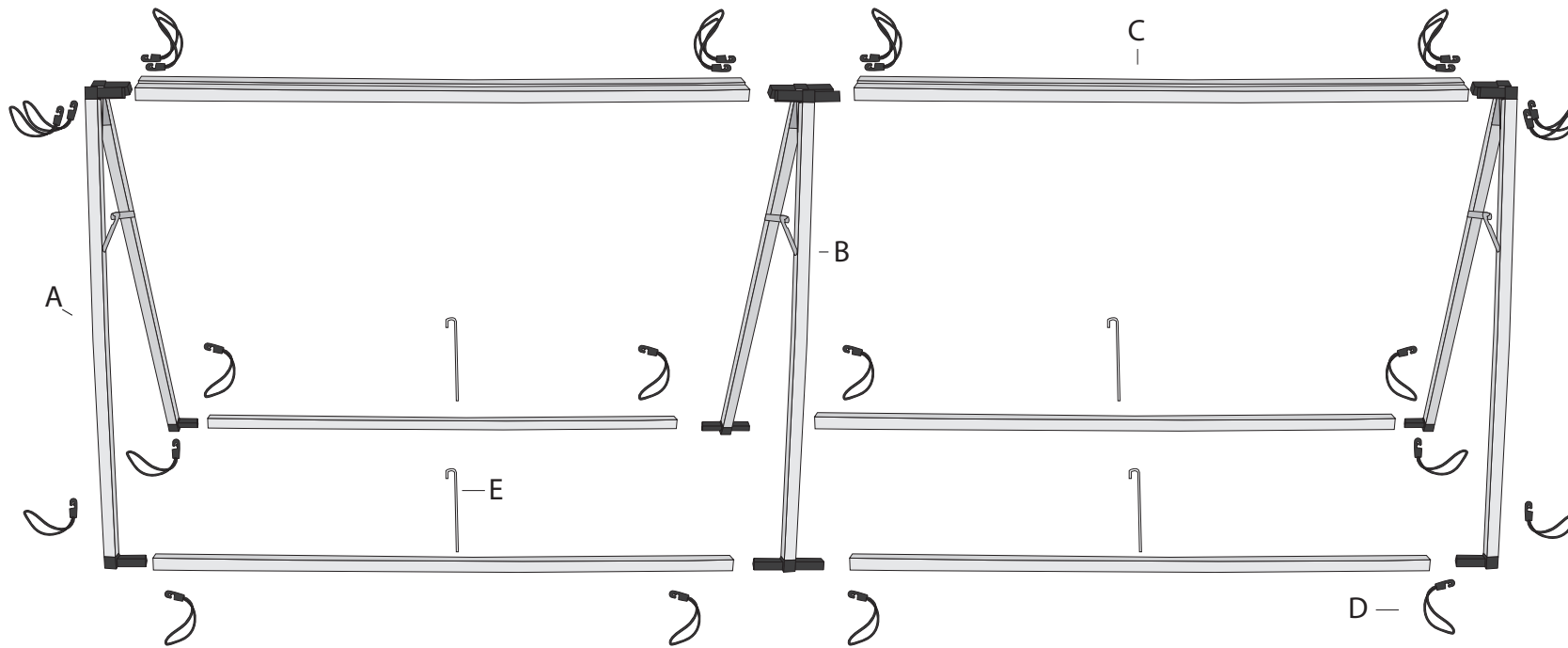
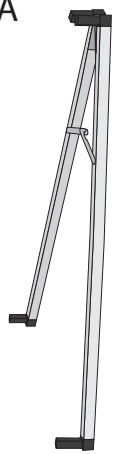
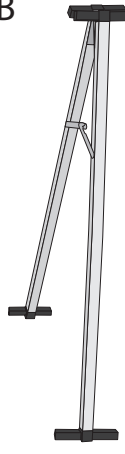



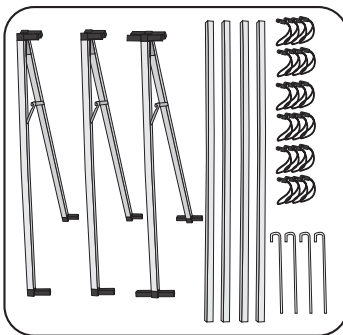


ASSEMBLY INSTRUCTIONS

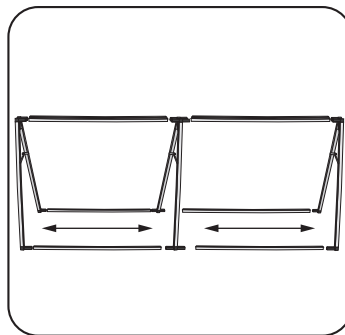
COMPONENTS:



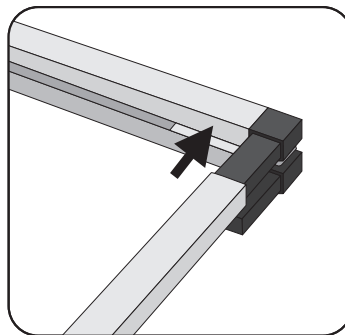
<p>A</p>  <p>2 PCS</p>	<p>B</p>  <p>1 PC</p>
<p>C</p>  <p>8 PCS</p>	<p>D</p>  <p>24 PCS</p> <p>E</p>  <p>4 PCS</p>



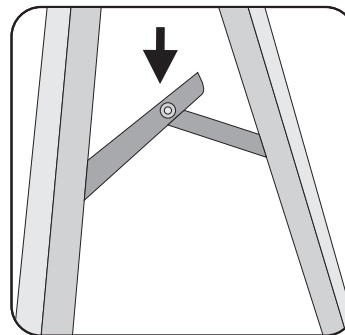
1 Take all of the parts out of the box and carry bag and lay them on a clean flat surface.



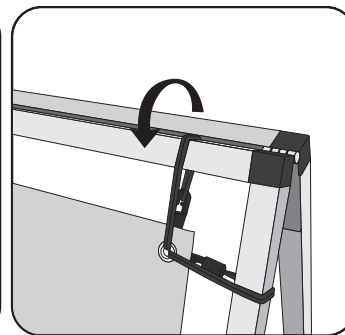
2 Place the two end A-Frames so they are spaced approximately 8ft apart with the black connectors facing each other, and the center A-frame in the middle. Place the horizontal poles between the top and bottom connectors on both of the end A-frames and the center A-frame.



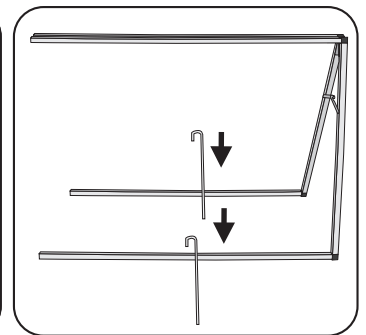
3 Connect the horizontal poles with the A-frames by inserting the black connecting joints into the open ends of the poles.



4 Once the unit is assembled, stand it upright and extend the three A-frame hinges until it stands on its own.



5 Loop the bungee hooks through the grommets and over the horizontal poles and vertical support poles on the A-frame at each corner. Then loop the bungee hooks through the grommets and over the horizontal poles near the center A-frame to finish securing the banner. Repeat for additional graphic.



6 Secure to soft ground by placing ground stakes over bottom horizontal poles.