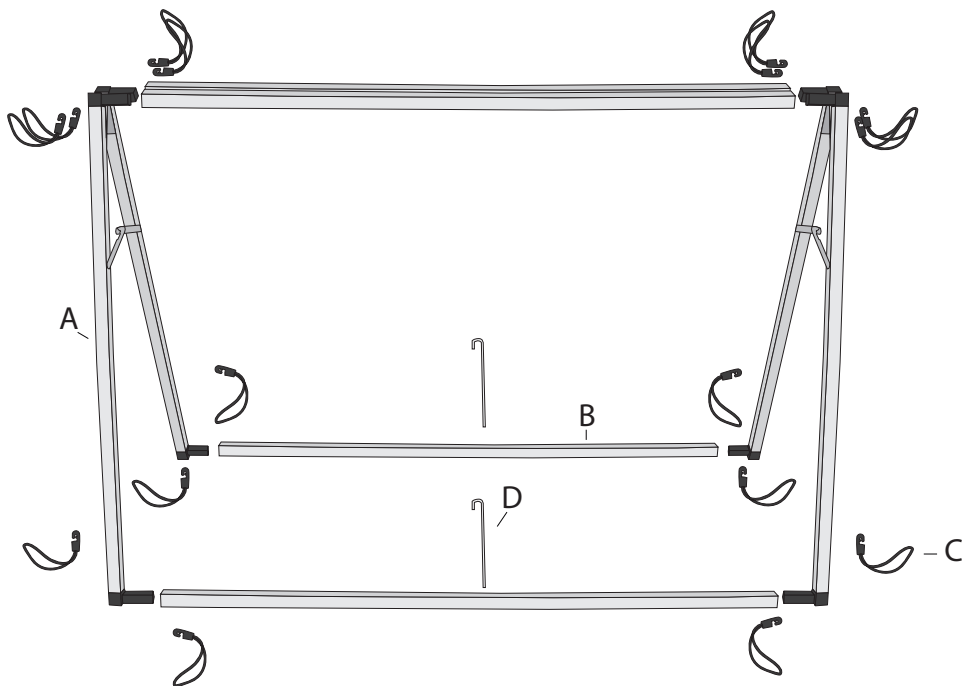
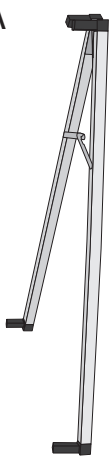
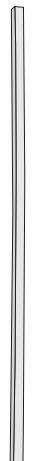


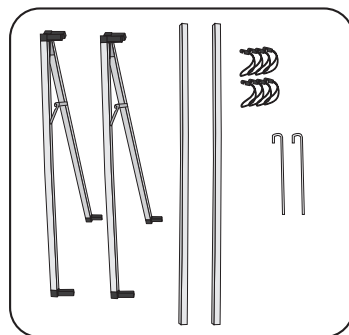


# ASSEMBLY INSTRUCTIONS

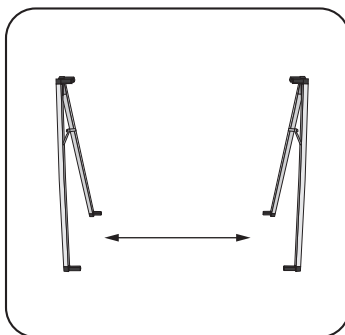
## COMPONENTS:



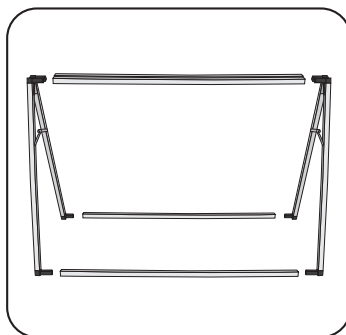
 <p>A</p> <p>2 PCS</p>	 <p>B</p> <p>4 PCS</p>
 <p>C</p> <p>16 PCS</p>	 <p>D</p> <p>2 PCS</p>



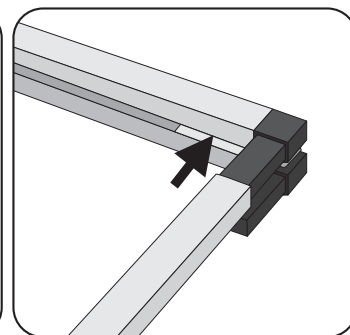
**1** Take all of the parts out of the box and carry bag and lay them on a clean flat surface.



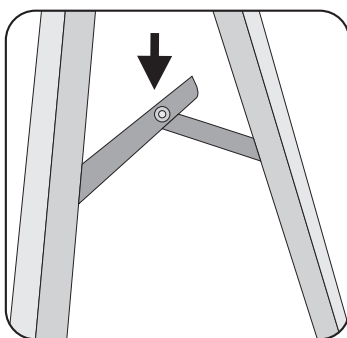
**2** Place the two end A-Frames so they are spaced approximately 4ft apart with the black connectors facing each other.



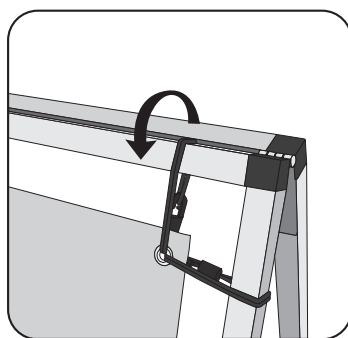
**3** Place the horizontal poles between the top and bottom connectors on the A-frames.



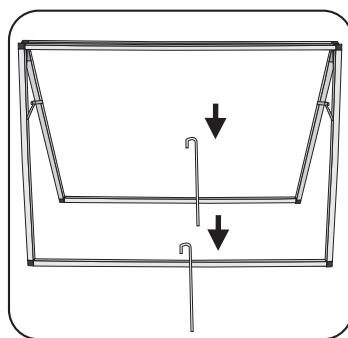
**4** Connect the horizontal poles with the A-frames by inserting the black connecting joints into the open ends of the poles.



**5** Once the unit is assembled, stand it upright and extend the two A-frame hinges until it stands on its own.



**6** Loop the bungee hooks through the grommets and over the horizontal poles and vertical support poles on the A-frame at each corner to attach the banner to the frame. Repeat for additional graphic



**7** Secure to soft ground by placing ground stakes over bottom horizontal poles.