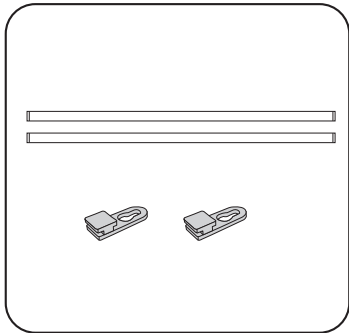
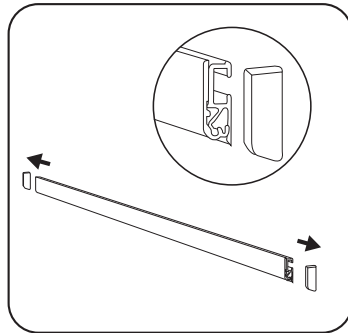


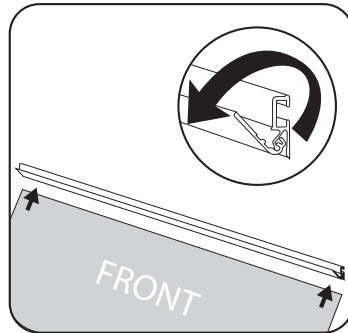
# INSTALLATION STEPS



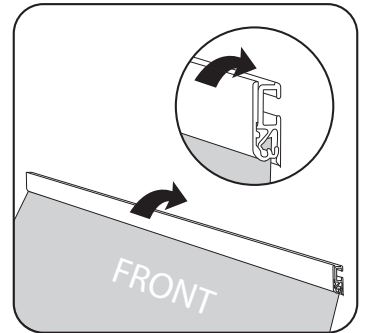
- 1** The box contains:  
- Clamp top and bottom bars  
- Hanging tabs (more than two are supplied with poster clamps exceeding 48")



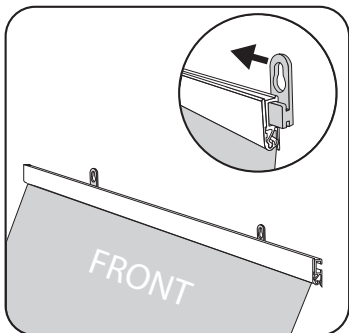
- 2** Remove the plastic end caps from the clamp top bar.



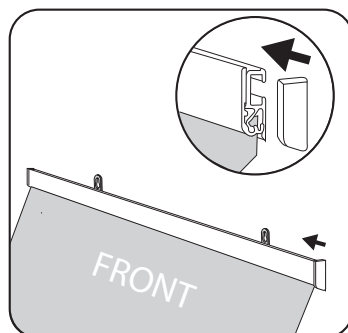
- 3** Open the clamp top bar and fully insert the top of the banner (front facing up).



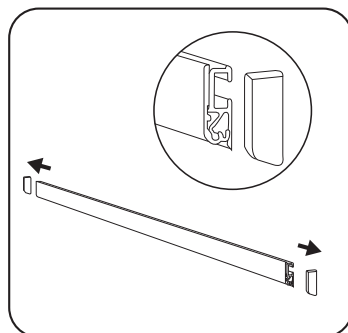
- 4** Press down firmly on clamp top bar to secure graphic into place.



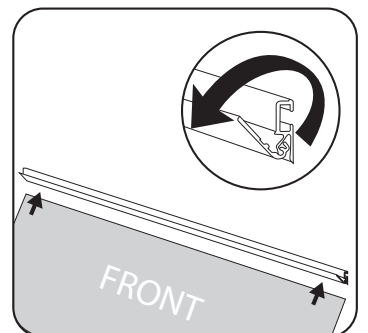
- 5** Slide the hanging clips onto the top bar inside the channel found on the back of the clamp top bar.



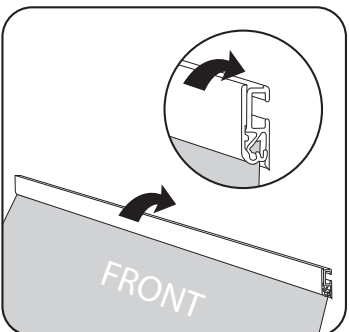
- 6** Place the plastic end caps back onto the clamp top bar.



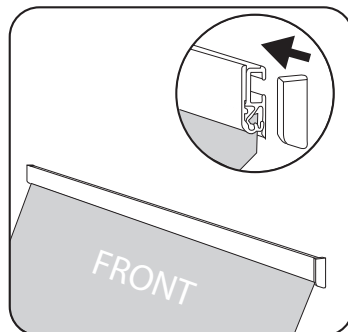
- 7** Remove the plastic end caps from the clamp bottom bar.



- 8** Open the clamp bottom bar and fully insert the bottom of the banner (front facing up).



- 9** Press down firmly on clamp bottom bar to secure graphic into place.



- 10** Place the plastic end caps back onto the clamp bottom bar.



**CAUTION:**  
PLEASE READ ALL INSTRUCTIONS  
BEFORE ATTEMPTING INSTALLATION