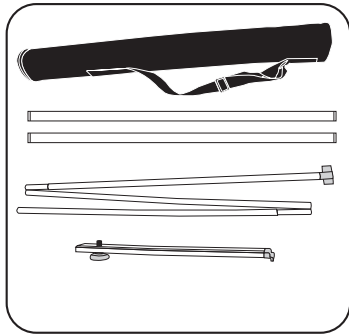
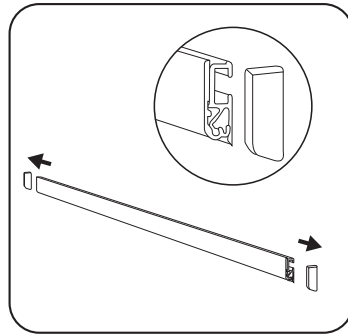


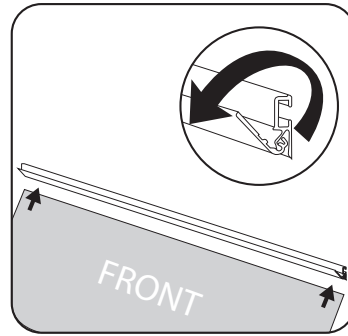
# INSTALLATION STEPS



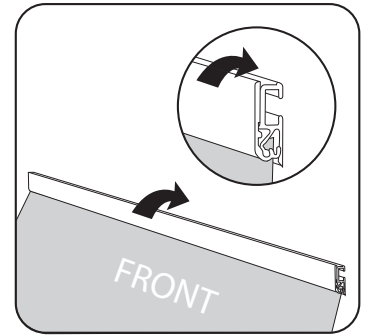
- 1** The box contains:
- Carry bag
  - Clamp top and bottom bars
  - Support pole
  - Base



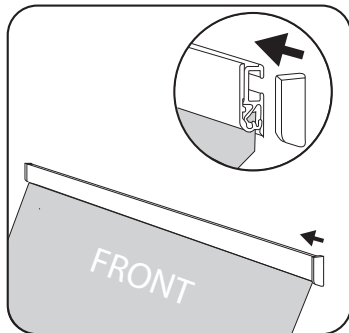
- 2** Remove the plastic end caps from the clamp top bar.



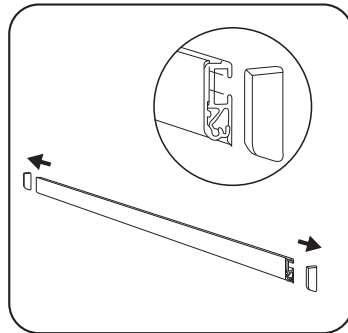
- 3** Open the top bar and fully insert the top of the banner (front facing up).



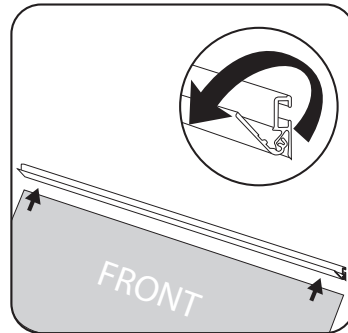
- 4** Press down firmly on clamp top bar to secure graphic into place.



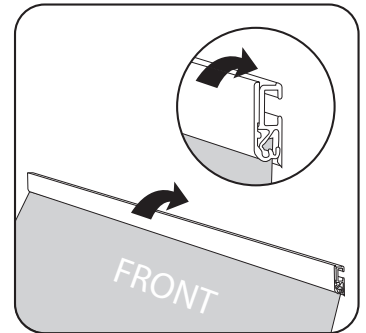
- 5** Place the plastic end caps back onto the top bar.



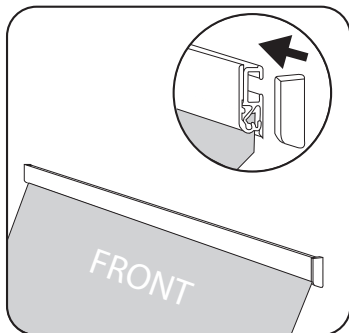
- 6** Remove the plastic end caps from the clamp bottom bar.



- 7** Open the bottom bar and fully insert the bottom of the banner (front facing up).



- 8** Press down firmly on clamp top bar to secure graphic into place.



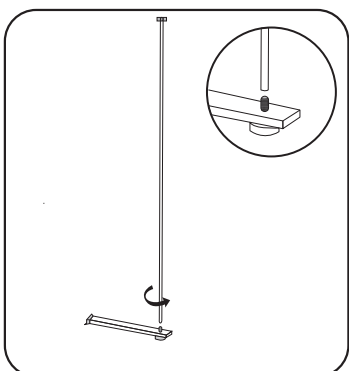
- 9** Place the plastic end caps back onto the bottom bar.



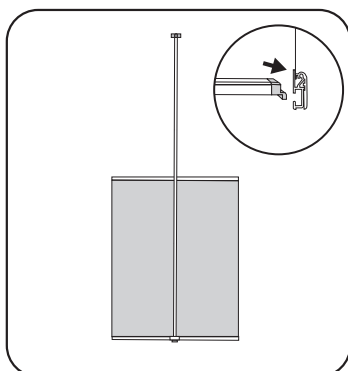
When done installation, leave lower portion of this sheet with the stand for the end user



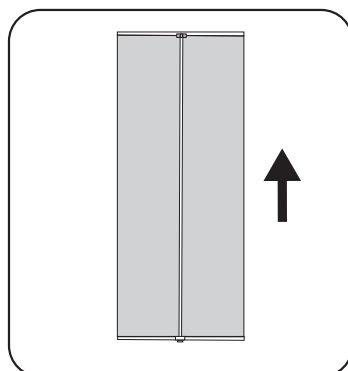
## SET-UP STEPS



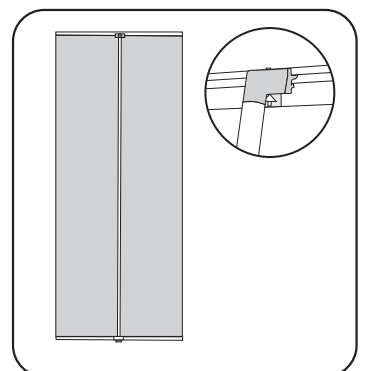
- 1** Assemble the pole. Attach the pole to the base by twisting it onto the threaded piece on the back of the base.



- 2** Attach the bottom bar to the clip found on the base.



- 3** Extend the graphic fully.



- 4** Tilt the top bar back on a slight angle to position the fitting at the top of the pole into the channel in the center of the top bar.