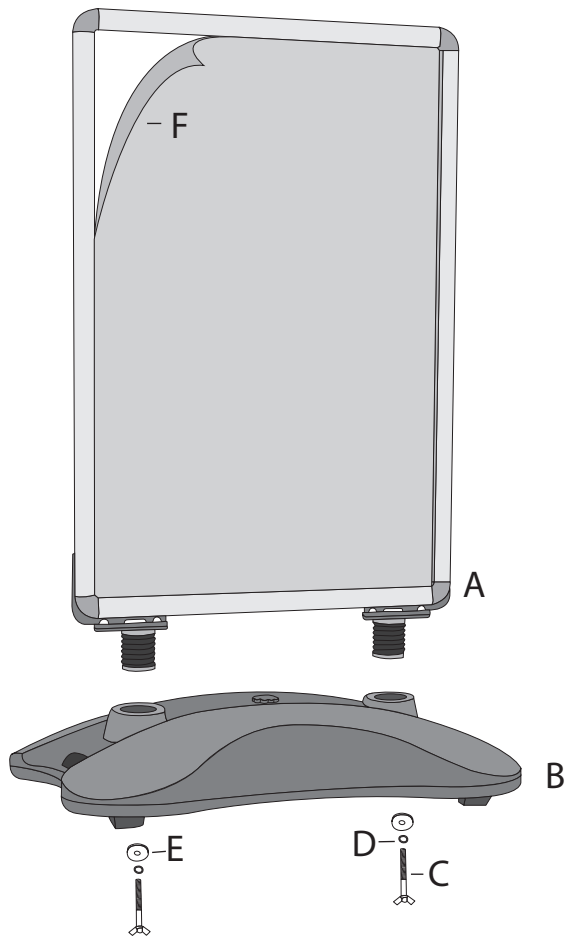
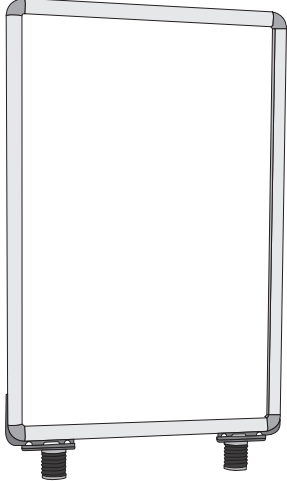

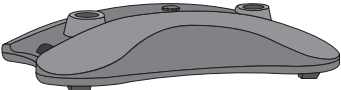


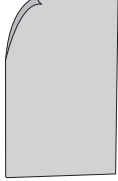
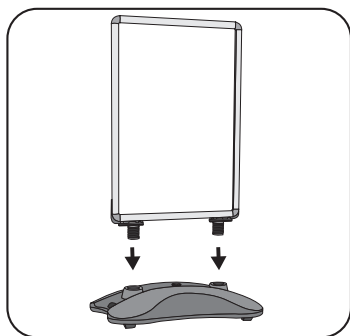


# ASSEMBLY INSTRUCTIONS

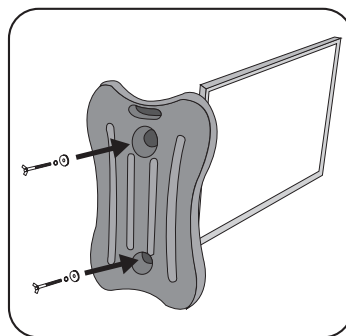
## COMPONENTS:



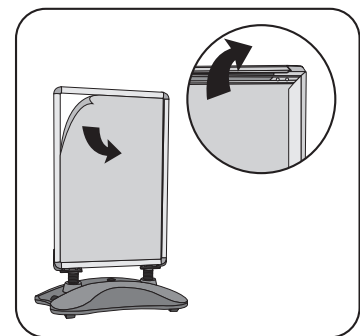
<p><b>A</b></p>  <p>1 PC</p>	<p><b>C</b></p>  <p>2 PCS</p>
<p><b>B</b></p>  <p>1 PC</p>	<p><b>D</b></p>  <p>2 PCS</p>
	<p><b>E</b></p>  <p>2 PCS</p>
	<p><b>F</b></p>  <p>2 PCS</p>



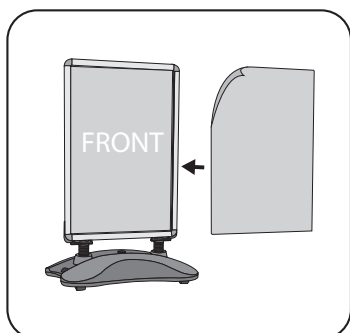
- 1** Insert the spring legs attached to the snap poster frame into the holes on the fillable base



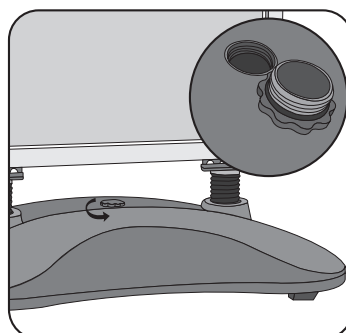
- 2** Resting the poster frame and fillable base on the ground, use the included fixings to attach the poster frame to the fillable base.



- 3** Open the poster frame and remove the protective graphic cover.



- 4** Place the graphic in the frame, followed by the protective graphic cover. Snap the profile closed. Repeat on other side for additional graphic.



- 5** Twist off cap found in the center of the base, and add additive of choice. **For outdoor displays with hollow plastic bases, use additives or sand when using in temperatures below 0°C (32°F)**