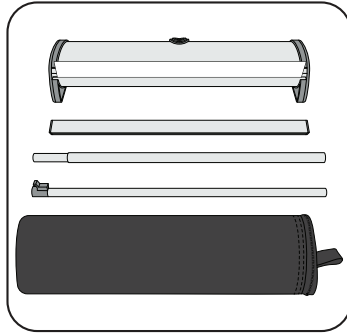


# INSTALLATION INSTRUCTIONS

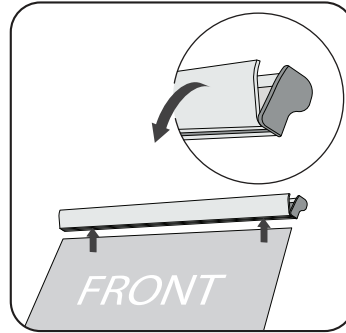


## CAUTION

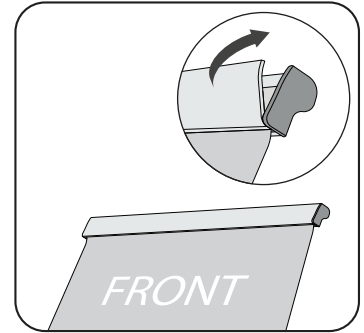
Please read all instructions before attempting installation



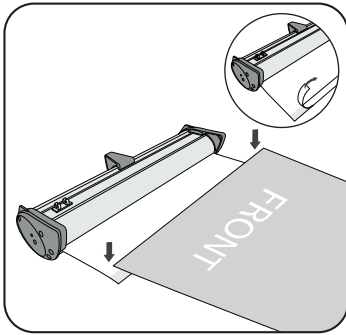
- 1 The box contains:
  - The base
  - Clamp top bar
  - Support poles
  - Black carry bag



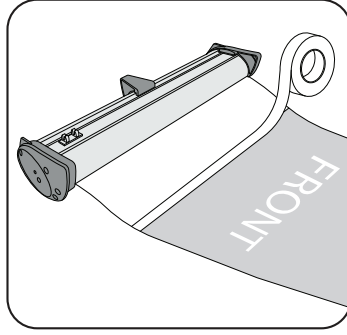
- 2 Open the top bar and fully insert the banner (front facing up).



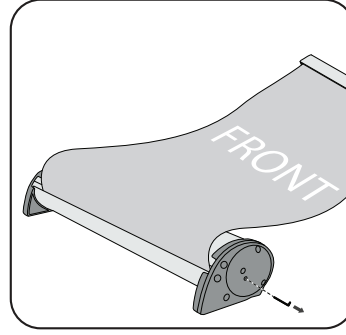
- 3 Press down firmly on clamp top bar to secure graphic into place.



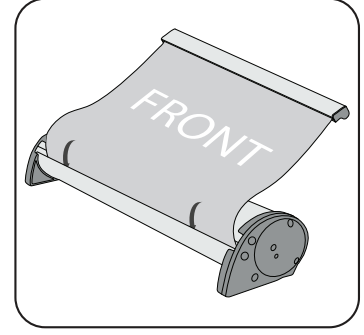
- 4 Ensure the bottom of the banner is straight along the adhesive strip. Peel the paper off the adhesive along the edge of the leader and attach the banner (front facing up).



- 5 Secure the banner to the leader with additional tape on both sides.



- 6 Gripping the banner securely with one hand, remove the locking pin from the side of the base. Store the locking pin under the stand.

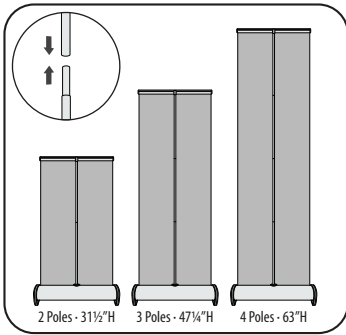


- 7 Carefully allow the banner to retract into the base, keeping it even distance from the edge of the base on both sides.

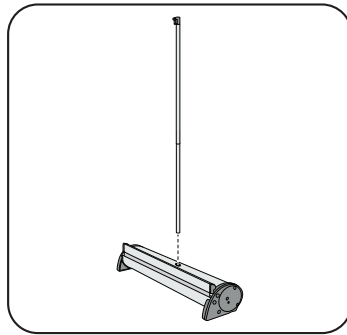
When done installation, leave lower portion of this sheet with the stand for the end user



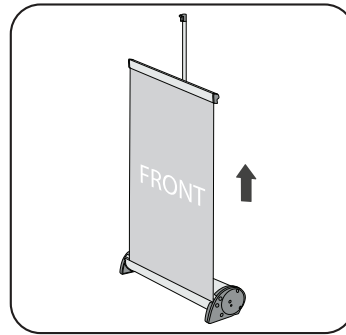
## SET-UP STEPS



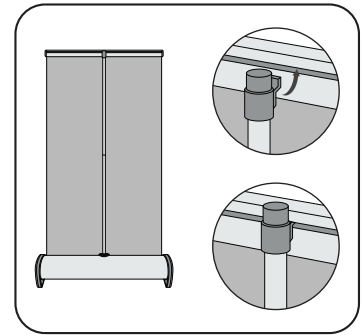
- 1 Assemble available poles to achieve desired height.  
Skip Step 1 if the banner is only 15 3/4"H. Step 1 is only applicable to creating taller heights.



- 2 Insert the bottom of the pole in the center of the base.  
Ensure the pole is fully inserted onto the plastic fitting at the bottom of the base.



- 3 Hold the top bar and pull up the banner to the top of the pole.



- 4 Tilt the top bar backwards on a slight angle to position the fitting at the top of the pole into the channel in the center of the top bar.

## IMPORTANT:

When disassembling display, tilt the clamp top bar back on a slight angle and lift off the top off the pole, then while holding the clamp top bar, Carefully and slowly allow the banner to retract straight into the base, ensuring it does not wander over to either side while it is retracting.