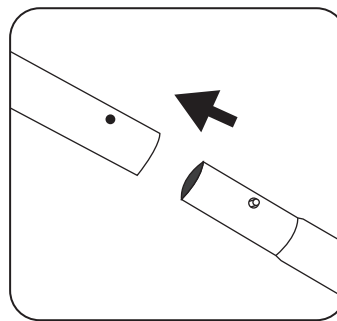
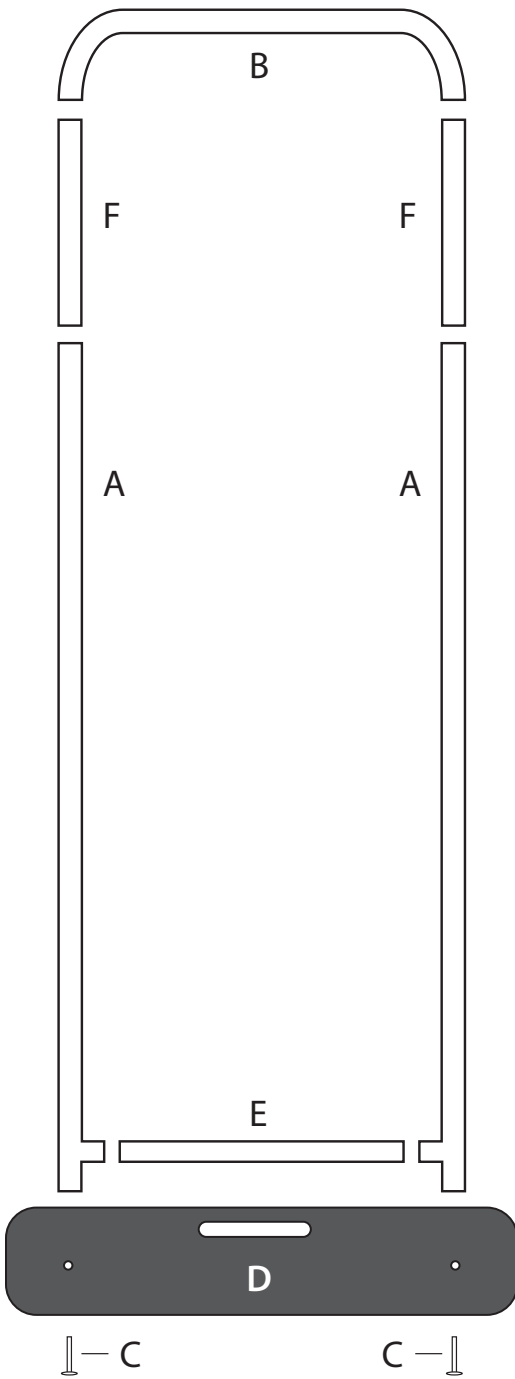


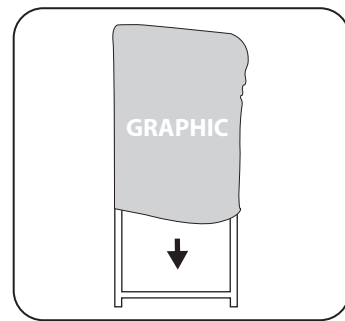
ASSEMBLY INSTRUCTIONS

COMPONENTS:

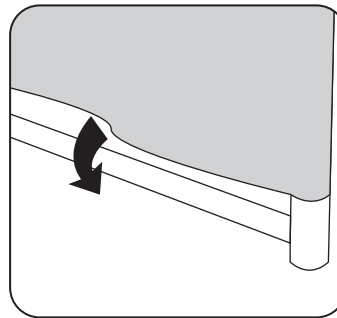
| | | | | |
|-------|--|-------|------|-------|
| A | | | F | |
| 2 PCS | | | | |
| B | | C | | |
| 1 PC | | 2 PCS | 1 PC | 2 PCS |
| D | | | E | |
| 1 PC | | | 1 PC | |



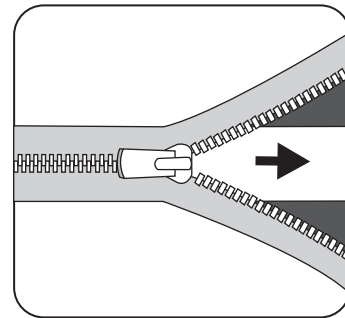
- 1** Assemble the frame by clicking together poles (A, B, E, and F).
Pro Tip! Installing the graphic prior to attaching the base (D) allows for easier access to the zipper.



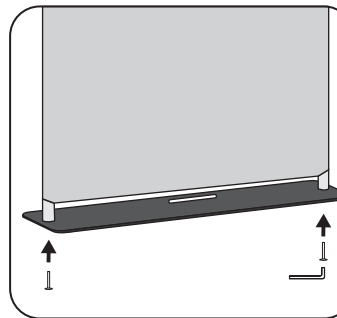
- 2** Slide the graphic onto the frame, pulling down on both sides evenly. If the graphic catches on the frame, gently pull the graphic out and over to continue.



- 3** Once the graphic is on the frame, lay the frame down on a clean surface.



- 4** Pull graphic down and around the bottom horizontal support pole (E) and close the zipper.



- 5** With the frame still laying down, attach the base (D) to the frame with the provided screws (C) and hex key. Once the base is secured, stand the frame up vertically to display.