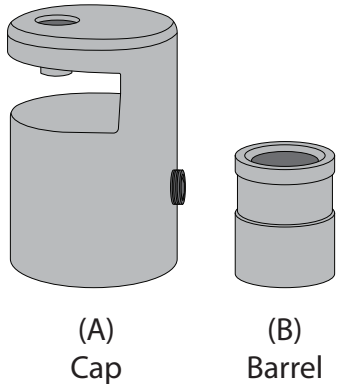


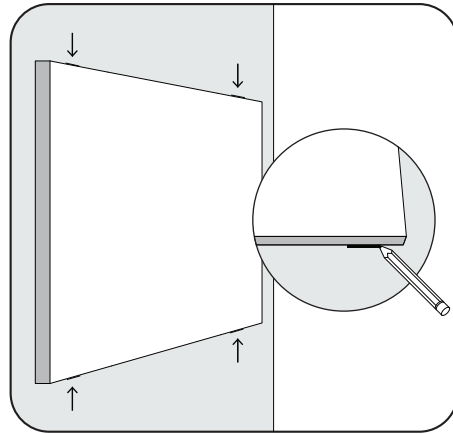
# INSTALLATION INSTRUCTIONS

## Parallel Edge Grip

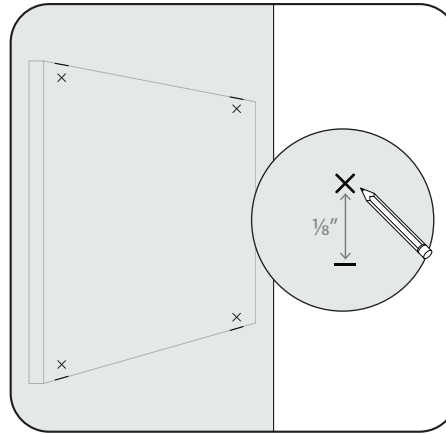


### Required (not included)

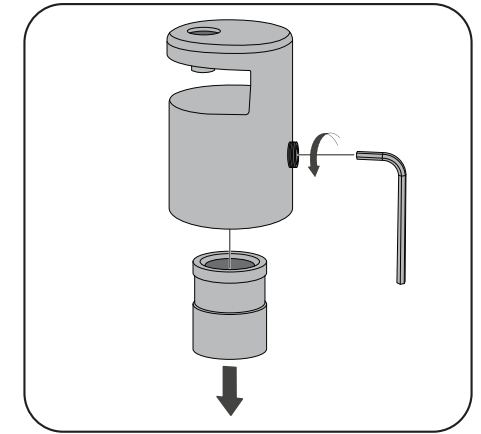
- 3mm hex key
- #8 or #10 screw
- Screw anchor
- Screwdriver
- Pencil
- Level (optional)



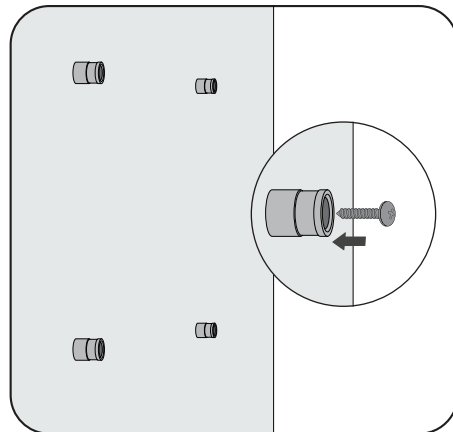
- 1** Place panel in desired location and hold steady. Using a pencil, create a mark at the edge of the panel (where it meets the wall) for each edge grip and set panel aside.



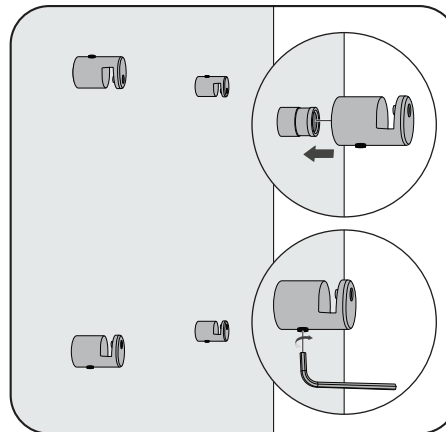
- 2** Create new marks 1/8" inset from the original marks made. Drill pilot holes using new marks. If you're unable to fasten directly to studs, drill holes for wall anchors and install anchors.



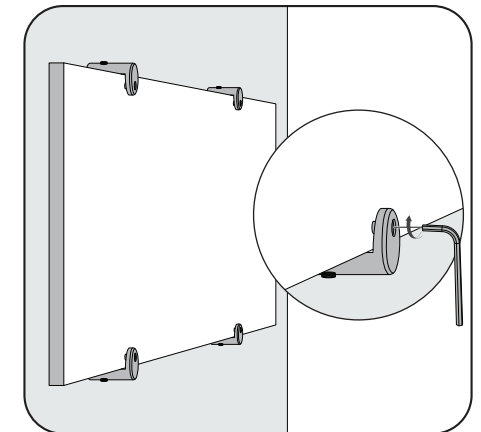
- 3** Using a 3mm hex key on the side of the edge grip, loosen the set screw to separate the barrel insert (B) from the cap (A).



- 4** Insert #8 or #10 screw through barrel (B) and secure to mounting surface with screwdriver.



- 5** Slide the cap (A) over the barrel (B). Secure by tightening the set screw on the side with a 3mm hex key.



- 6** Slide in the panel and use a 3mm hex key to tighten the screws on the front of the edge grips - securing the panel in place.

**Warning:** Overtightening may cause substrates to crack.