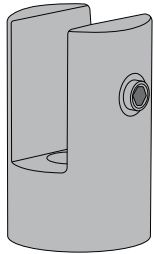


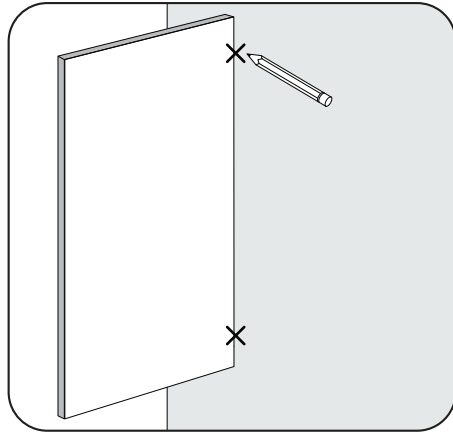
INSTALLATION INSTRUCTIONS

Perpendicular Panel Grip



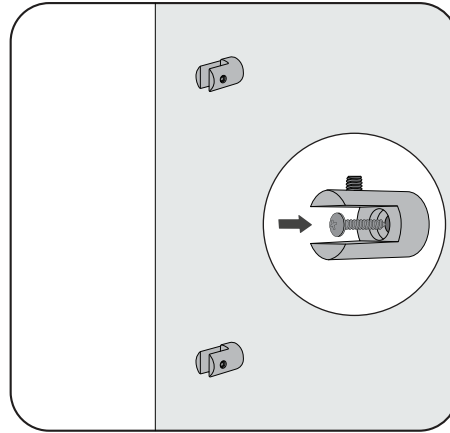
Required *(not included)*

- 2mm hex key
- #6 screw
- Screw anchor
- Screwdriver
- Pencil
- Level (optional)



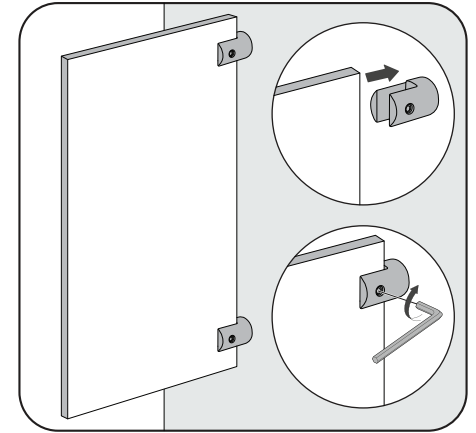
- 1 Place panel in desired location and create a mark at the edge of the panel (where it meets the wall) exactly where the panel grips will be installed. Set panel aside.

If you're unable to fasten directly to studs, drill holes for wall anchors and install anchors.



- 2 Attach the panel grip to the wall using #6 screw.

Pro Tip: Position with the set screw facing the same way for ease of installation of the panel and aesthetics.



- 3 Slide in the panel and tighten using a 2mm hex key.

Warning: Overtightening may cause substrates to crack or panel grip to break.