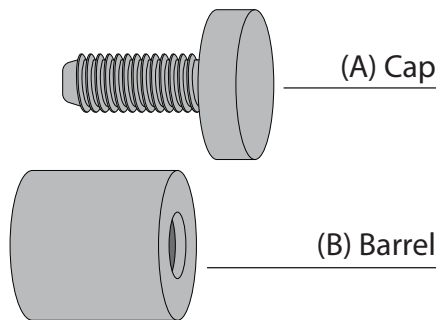


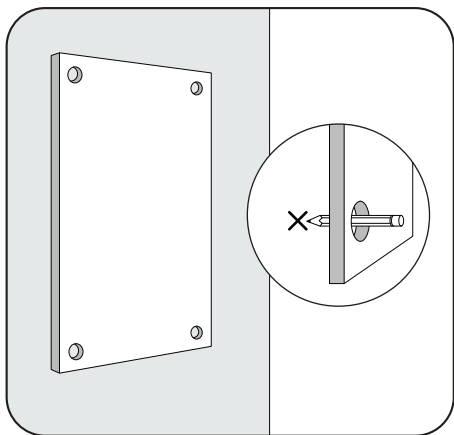
INSTALLATION INSTRUCTIONS

Threaded Standoff

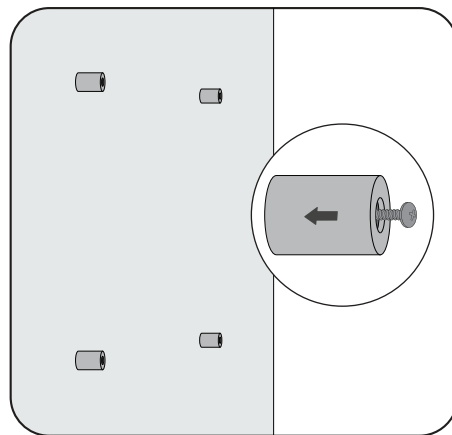


Required *(not included)*

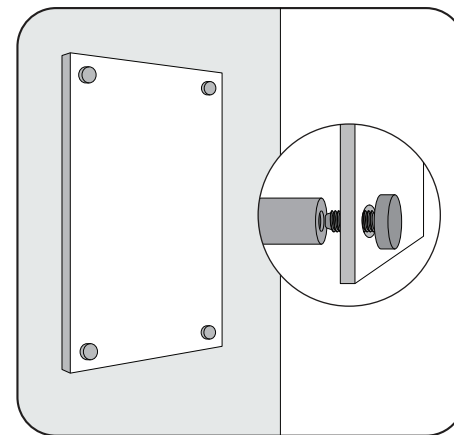
- #6 or #8 screw
- Screw anchor
- Screwdriver
- Pencil
- Level (optional)



- 1** Place panel in desired position. Using the holes in the panel as a template, mark the locations of the standoffs. Set panel aside. If you're unable to fasten directly to studs, drill holes for wall anchors and install anchors.



- 2** Insert screw through barrel (B) and secure to mounting surface with screwdriver. Use a #6 screw for the SMALL Standoff, and a #8 screw for the MEDIUM and LARGE Standoff.



- 3** Align the panel. Thread caps (A) through holes in the panel into the barrels (B). To secure into place, handtighten only. **Warning:** Overtightening may cause substrates to crack. Do not use tools as they may cause damage to the hardware finish.