

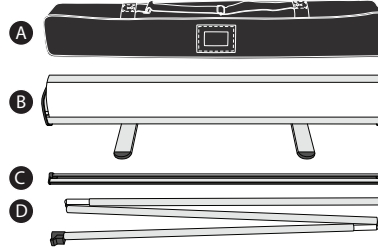
ZETA ASTRO

Installation Instructions

V2.0125

Components

- A Carry bag
- B Base
- C Clamp top bar
- D Support pole



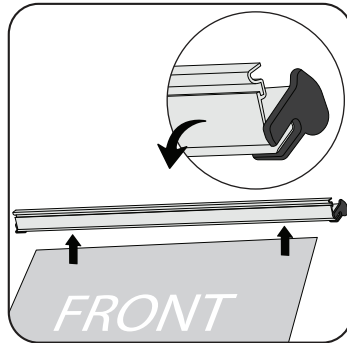
For installation, you will need:

- + Roll of packing tape
- + Trimmed banner

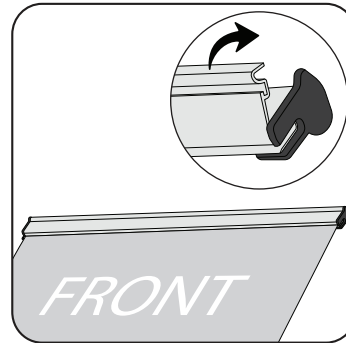


CAUTION

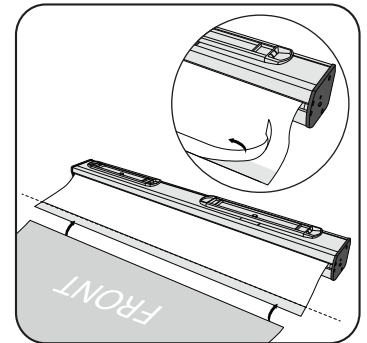
Please read all instructions before attempting installation.



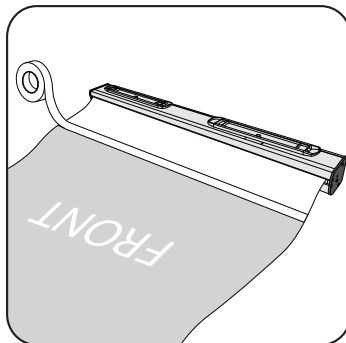
- 1 Open the top bar and insert the banner (front facing up).



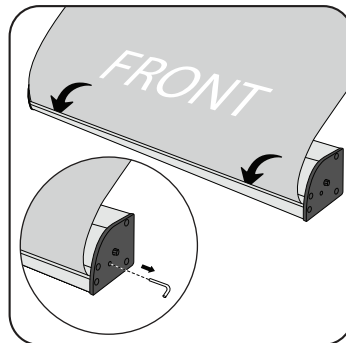
- 2 Press down firmly on clamp top bar to secure graphic.



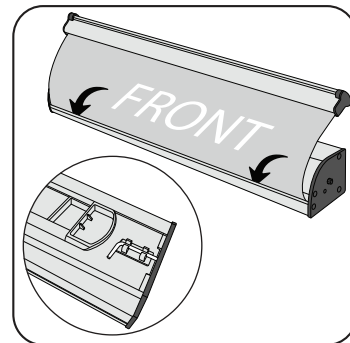
- 3 Peel paper off the adhesive leader. Ensure the bottom of the banner is straight in line with the adhesive and attach the banner (front facing up).



- 4 Secure the banner to the leader with additional tape on both the front and back.



- 5 Gripping the banner securely with one hand, remove the locking pin. Carefully and slowly allow the banner to retract into the base.

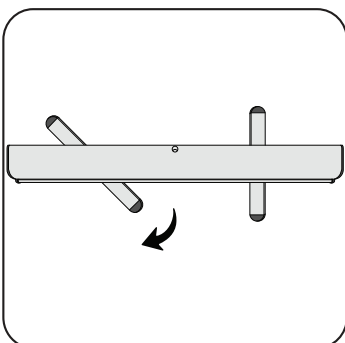


- 6 As the banner retracts, keep an even distance from the edge of the base on both sides. Store the locking pin under the stand.

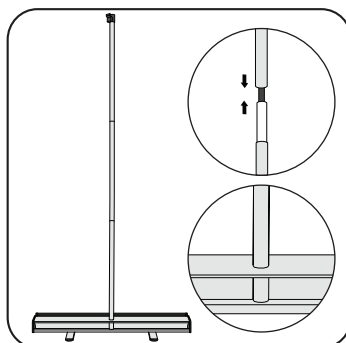
When installation is complete, leave lower portion of this sheet with the stand for the end user.

Set-up Steps

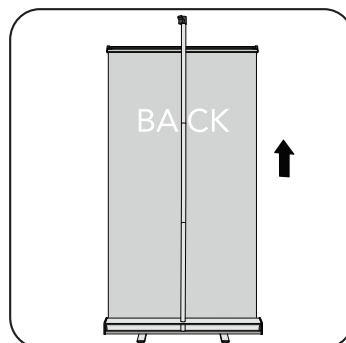
CAUTION: When disassembling the display, tilt the clamp top bar back on a slight angle and lift off the top off the pole. Then while holding the clamp top bar, carefully and slowly allow the banner to retract straight into the base, ensuring it does not wander over to either side while it is retracting.



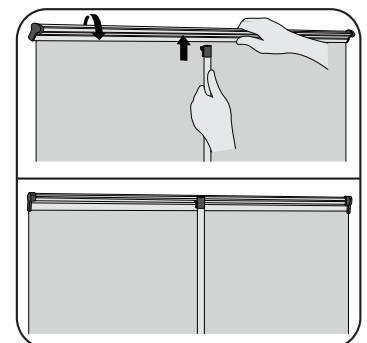
- 1 Twist out each support foot 90° and gently place the base on the ground.



- 2 Assemble support pole. Insert the bottom of the pole in the center of the base.



- 3 Standing behind the base, hold the top bar and pull the banner up to the top of the pole.



- 4 Tilt the clamp top bar back on a slight angle to position the fitting at the top of the pole into the channel in the center of the top bar.